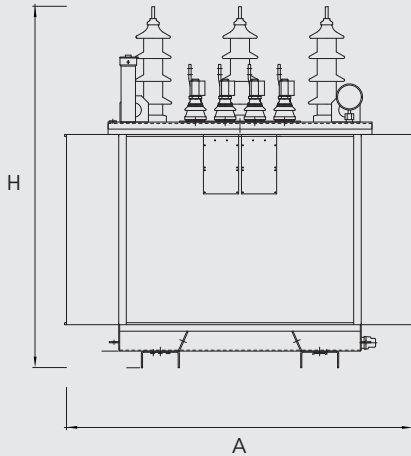
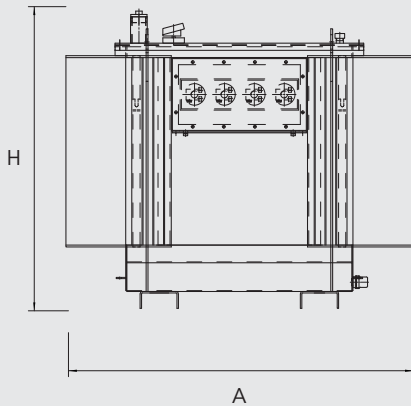


Tank configuration ↑



Tank configuration ↔



WESTRAFO

WESTRAFO SRL

Via Zamenhof 817
(c/o Simal B. C.)
36100 Vicenza
Italy

T. +39 0444 1620652
F. +39 0444 1620601
www.westrafo.com
VAT 03912090242

WESTRAFO GHANA LTD

P.O. Box 851
Tema
Ghana
T. +233 244 606323
www.westrafo.com





**Oil immersed
distribution transformers**

WTO-N
11 & 33 KV SERIES

WESTRAFO

Oil immersed distribution transformers - 11 KV and 33 KV Primary Voltage Series

Westrafo standard catalogue covers the power range up to 3150 KVA with following standard conditions of design:

- Indoor or outdoor use with sealing type design
- Mineral oil according to IEC 60296
- 50 Hz frequency
- Maximum ambient temperature of 45°C at full load with 55°C oil temperature rise and 60°C winding temperature rise and installation up to 1000 m
- Taps adjustent of $\pm 3 \times 2.5\%$
- Secondary voltage between 400 V and 433 V
- Protective coating over 100 μm
- Guarantee and construction values according to IEC 60076-1 norm
- Copper or aluminium windings

11 KV

Power	Vector Group	Losses			Impedance (%)	Efficiency		Voltage drop		Dimensions				Weight		Tank description
		No load	On load			PF 1.0	PF 0.9	PF 1.0	PF 0.9	A	B	H	I	Oil	Total	
kVA		W	W	%	%	%	%	%	mm	mm	mm	mm	kg	kg		
50	Dyn11	190	1100	4	97,48	97,21	2,26	3,46	850	600	1050	skid	100	430	↑	
100	Dyn11	320	1750	4	97,97	97,75	1,81	3,17	1000	700	1100	skid	145	620	↑	
200	Dyn11	550	2800	4	98,35	98,17	1,47	2,93	1300	750	1300	520	190	900	↑	
315	Dyn11	780	3850	4	98,55	98,39	1,29	2,80	1450	850	1400	520	280	1300	↑	
500	Dyn11	1100	5500	4	98,70	98,55	1,17	2,71	1480	1410	1350	670	320	1800	↔	
800	Dyn11	1500	9000	6	98,70	98,56	1,30	3,70	1600	1450	1400	670	440	2300	↔	
1000	Dyn11	1700	10500	6	98,79	98,66	1,22	3,64	1750	1450	1450	820	490	2700	↔	
1500	Dyn11	2400	16000	6	98,79	98,66	1,24	3,65	2000	1500	1500	820	610	3500	↔	
2000	Dyn11	3200	21000	6	98,80	98,67	1,22	3,64	2050	1450	1800	1070	730	4200	↑	
2500	Dyn11	3600	25000	6	98,87	98,74	1,18	3,60	2300	1300	2150	1070	1100	5500	↑	
3150	Dyn11	4300	31000	6	98,89	98,77	1,16	3,59	2500	1450	2200	1070	1340	6650	↑	

Standard accessories:

- N. 2 grounding terminals
- N. 1 identification plate
- N. 2 or 4 lifting lugs (According to power)
- Lockable no load tap changer
- Oil thermometer indication
- Spark gap rods for outdoor configuration

Accessories on request:

Many accessories are available for Westrafo distribution transformers for safety, protection, measuring or to comply with customer requests. Here a list of common used:

- Oil level indicator
- Overpressure valve
- Integrated safety detector
- Plug in connections on MV or LV side

33 KV

Power	Vector Group	Losses			Impedance (%)	Efficiency		Voltage drop		Dimensions				Weight		Tank description
		No load	On load			PF 1.0	PF 0.9	PF 1.0	PF 0.9	A	B	H	I	Oil	Total	
kVA		W	W	%	%	%	%	%	mm	mm	mm	mm	kg	kg		
50	Yzn11	230	1100	4	97,41	97,13	2,26	3,46	920	620	1380	skid	155	540	↑	
100	Dyn11	380	1750	4	97,91	97,69	1,81	3,17	1050	750	1400	skid	190	700	↑	
200	Dyn11	600	2800	4	98,33	98,15	1,47	2,93	1150	750	1500	520	280	1060	↑	
315	Dyn11	840	3850	4	98,53	98,37	1,29	2,80	1250	800	1600	520	340	1410	↑	
500	Dyn11	1150	5500	4	98,69	98,54	1,17	2,71	1480	930	1600	670	350	1700	↑	
800	Dyn11	1600	9000	6	98,69	98,55	1,30	3,70	1700	1040	1600	670	470	2300	↑	
1000	Dyn11	1800	10500	6	98,78	98,65	1,22	3,64	1800	1100	1750	820	600	2850	↑	
1500	Dyn11	2500	16000	6	98,78	98,65	1,24	3,65	1900	1250	1900	820	700	3450	↑	
2000	Dyn11	3300	21000	6	98,80	98,67	1,22	3,64	2000	1350	2000	1070	850	4300	↑	
2500	Dyn11	3900	26000	6	98,82	98,69	1,21	3,63	2300	1350	2200	1070	1300	5800	↑	
3150	Dyn11	4600	31000	6	98,89	98,77	1,16	3,59	2500	1400	2300	1070	1650	7300	↑	